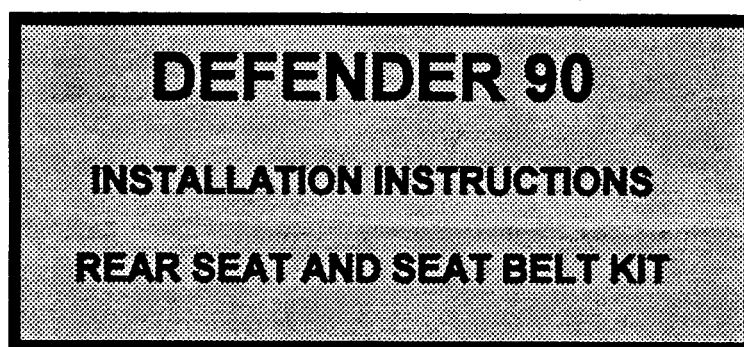




**1995 Model Year AND LATER**



**This kit contains two modules; 1.) the rear seat and fixings with brackets, hardware, etc., and, 2.) rear seat belts, with screws, brackets, etc.**

**Since occupant safety depends upon the proper functioning of seating systems and seat belt assemblies, it is vital that good engineering practice is followed in the fitting of the seat and seat belt modules. Ensure that all items in this kit are fitted according to the instructions and that all components function as described when installed.**

**These instructions describe the fitting of the seat and seat belt modules separately. Ensure that all operations are carried out and that all items and systems work together properly.**

**Land Rover North America, Inc.  
4390 Parliament Place, PO Box 1503  
Lanham, Maryland 20708  
USA**

**Land Rover Canada Inc.  
2425 Skymark Avenue  
Mississauga, Ontario L4W 4Y8  
Canada**

## FITTING INSTRUCTIONS

These instructions provide guidance for fitting the seat unit and seat belt set as separate operations. It is recommended that the installation be completed in this order. Under **NO** circumstances should this seat or any part of this kit be installed in any vehicle without the Safari cage "D-pillar" and horizontal rails fitted -- likewise, for occupant safety, no person should ride in the rear of any Defender 90 vehicle without a correctly installed rear seat, seat belts, and Safari cage. Any person riding in the back of a Defender 90 should be seated in this accessory seat with properly fastened seat belts.

(NOTE -- These instructions assume that the seat and seat belt set are to be fitted to a 1995 or later Model Year Land Rover Defender 90 vehicle, or to a 1994 MY Defender 90 which had the retrofit adaptor kit fitted. If this accessory seat is for a 1994 MY vehicle which has not had the adaptor kit fitted, install the adaptor kit before proceeding further with this seat installation.)

### INSTRUCTIONS FOR FITTING SEAT UNIT

#### INSTALLING FRONT HINGE BRACKETS AND SEAT

1) From under vehicle floor, push a sharp pick through two weldnuts each in two plates under floor (approx 17 inches to rear of front of floor area and 6 inches inboard of wheel well sides) up through floor mat or carpet to transfer hole locations. (See Figure 1.) Cut 1/2-inch (12.5mm) diameter holes in mat or carpet concentric with holes in floor. Place a hinge bracket (hinge pin to left rear) in place at each pair of holes. Mark the outline of each bracket on the mat or carpet, remove the brackets, and trim the mat or carpet so the bracket will sit firmly on the floor surface.

2) Position hinge brackets and loosely install 3/8-inch UNC bolts and washers..

3) Smear the hinge pins with light grease, slide the seat unit into position and engage the pins into the hinge sockets on the front seat legs. Install a "hairpin" clip at each hinge. Holding the hinge pins in line so that the seat folds easily, tighten the floor bolts, alternating between front and rear bolt in each pair. Torque to 28 - 30 Nm.

(1994 MY vehicles must have four washers and 3/8 UNC nuts - included in the adaptor kit - fitted to the bolts from under the vehicle).

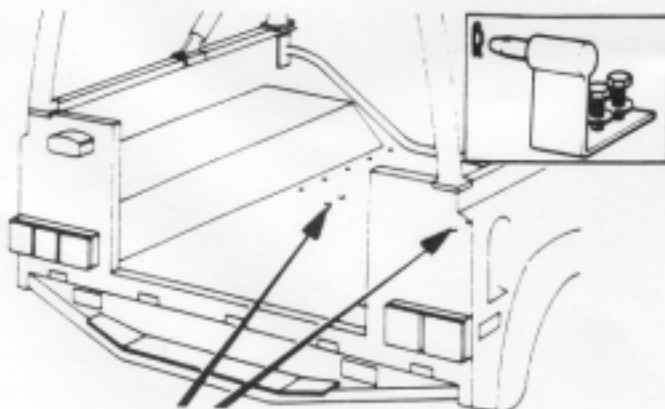


FIGURE 1.

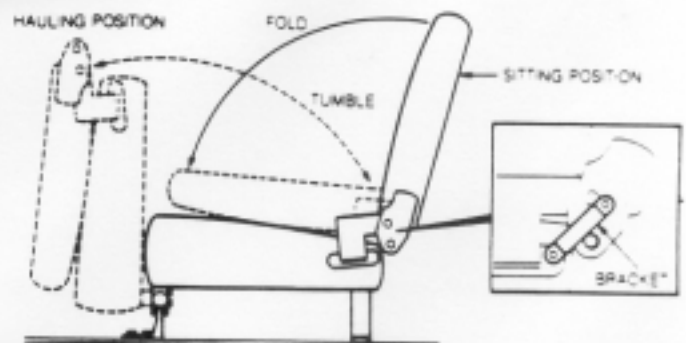


FIGURE 2.

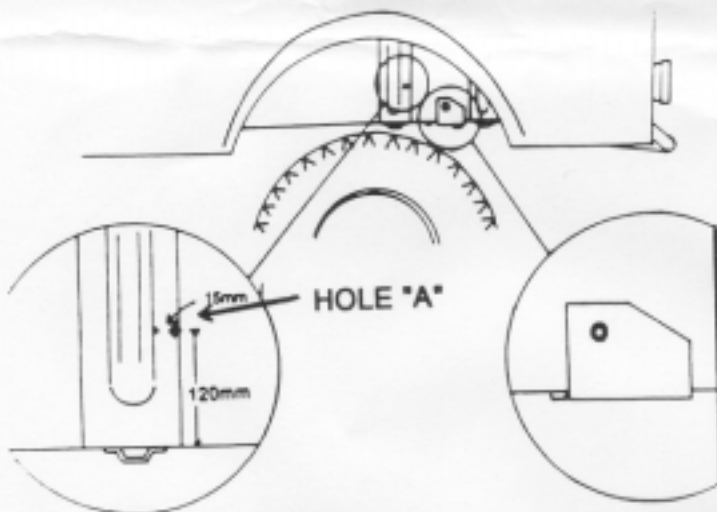
## **INSTALLING REAR HOLDDOWN BRACKETS**

1) Set the seat into the upright sitting position. (See Figure 2) From under the left wheelwell (outside the body), pierce through the existing hole in the body side and body stiffener rib through the floor mat or carpet. (See Hole "A", Figure 3.) Cut a 1/2-inch (12.5mm) diameter hole in the mat or carpet concentric with this hole. Repeat for right hand side.

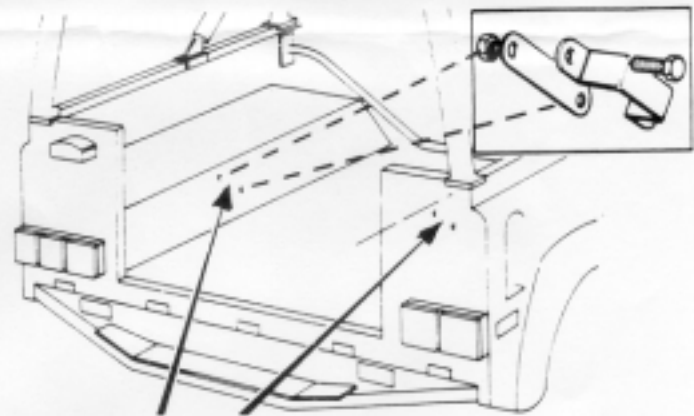
2) Place a "top hat"-shaped rear hold down bracket (See Figure 4) with a 3/8-inch diameter bolt and washer through one hole in the bracket and through the left body side. From under the wheelwell, place a backing plate into position over the end of the bolt, followed by a washer and nut. Tighten so that bracket is held securely but has freedom to move inside vehicle.

3) Rotate the bracket so that the bracket engages over the holddown peg at the lower rear corner of the seat. Mark the position of the other hole in the bracket and drill a 7/16-inch (11mm) diameter hole through the mat or carpet and body side. Treat the drilled hole in the metal with a corrosion treatment such as "Dinol Dinitrol AV-50", and install the second bolt with washers and nut. Mark and trim the mat or carpet at the bracket feet, and reinstall the bracket with the bolts, washers, backing plate and nut and tighten.

4) Repeat for right side.



**FIGURE 3**



**FIGURE 4**

## INSTRUCTIONS FOR FITTING SEAT BELTS

1) (For 1995 MY vehicles) Remove left-hand speaker pod. Using screw supplied with reel, install reel to body support strut (as shown in Figure 5, Item D). Locate the cast-in rectangle inside the top surface of the speaker pod. Carefully punch this area out. Thread the seat belt with attached hardware through the punched out area and reinstall the speaker pod. Slip the trim clip over the belt and install into the punched out area (Figure 5, Item E). Repeat for right hand side.

2) (For 1994 MY vehicles, ensure the bolts securing the bracket to the vehicle body and reel to the bracket are tight, as described in the adaptor kit instructions.)

3) Remove Torx-head screw from corner of rear safari cage and horizontal bar. Locate upper swivel spacer and bolt (Figure 5, Item A). Tighten bolt to 26 - 30 Nm.

4) From under left-hand wheelwell, pierce through weldnut in seat belt bracket (See Figure 3) through carpet or mat. Cut a 1/2-inch (12.5mm) hole in mat or carpet concentric to hole in vehicle body and bracket. Locate bolt supplied in belt end fitting into weldnut and torque to 26 - 30 Nm.

5) Repeat items 3) and 4) for right side of vehicle.

6) Locate hole on centerline of floor approx. 4 inches (103mm) forward of rear edge of floor. Cut a 1/2-inch (12.5mm) diameter hole in mat or carpet concentric with this hole. Insert bolt supplied with center seat belt buckle assembly through hole into weldnut in underfloor bracket. Holding belt anchorage plate in line with vehicle centerline, (Figure 5, Item B) tighten bolt to 26 - 30 Nm.

## PARTS LIST - DEFENDER 90 REAR SEAT AND SEAT BELT ACCESSORY KIT

Seat Assembly - Folding	(1)
Front Hinge Floor Brackets	(2)
Hardware for Brackets -	
3/8" UNC Bolts	(4)
3/8" Washers	(4)
"Hairpin" Clips	(2)
Rear "Top Hat" Holddown Brackets	(2)
Side Strengthening Plate Strips	(2)
Hardware for Brackets -	
3/8" UNC Bolts	(4)
3/8" Washers	(8)
3/8" UNC Nuts	(4)
Rear Accessory Seat Belt Set (Complete)	(1)

**FIGURE 5.**  
**(SHOWING SEAT BELT ASSEMBLY LAYOUT)**

